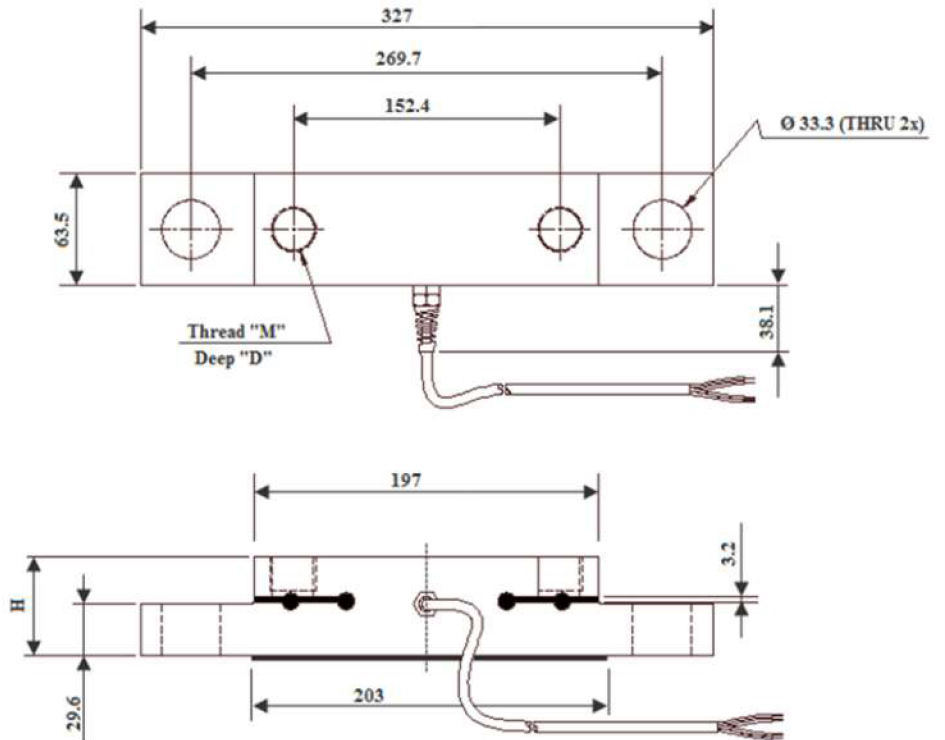
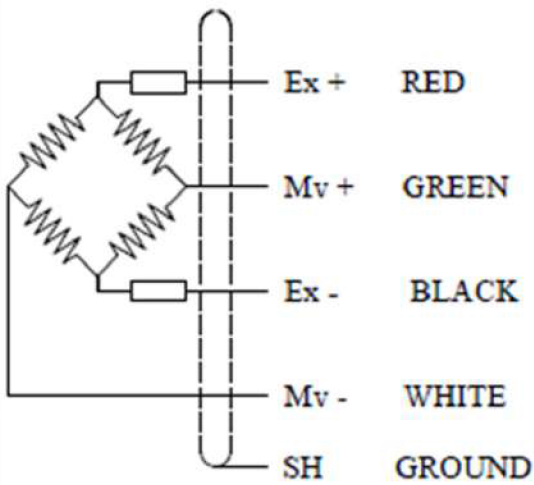


# MODEL : DESB-TPR



## Dimension



## MODEL : DESB-TPR

### Performance Data

Capacity Range (in Kg)	
Capacity Range ( in tf)	20
Nominal Sensitivity (mv/V)	1.00± 0.002
Zero Signal Tolerance	0 ± 2%
Input Resistance	750±10Ω
Output Resistance	702±3Ω
Recommended Excitation Voltage	10 VDC
Maximum Excitation Voltage	25 VDC
Linearity Deviation (as % of Full Scale)	< ± 0.020
Repeatability (as % of Full Scale)	< ± 0.020
Hysteresis (as % of Full Scale)	< ± 0.020
Creep (as % of Full Scale) in 30 min	< ± 0.020
Effect of Temperature on Zero ( % / °C)	± 0.002
Effect of Temperature on Span ( % / °C of Load)	± 0.001
Compensated Temperature Range	-10 to + 40°C
Operating Temperature Range	-20 to +70°C
Combined Error (as % Full Scale)	< ± 0.025 max
Isolation Resistance (@ 50 VDC)	> 1000 M Ω
Max. Limit Force (as % of Full Scale)	150
Breaking Force (as % of Full Scale)	300
Lateral Load Limit (as % of Full Scale)	500:1
Protection Class	IP 68
Material of Construction	High Nickel Alloy Steel

### Features

- ★ In-built Lightning Protection
- ★ Low Profile design
- ★ Low Deflection & Creep
- ★ Excellent Overload Capacity
- ★ Standardised Output for Multi-Transducer Application

### Optional

- ★ Explosion Proof Version suitable for Group I,IIA, IIB, IIC & meet Temperature Class T4

### Application

- ★ On Board Weighing
- ★ Tipper Weighing