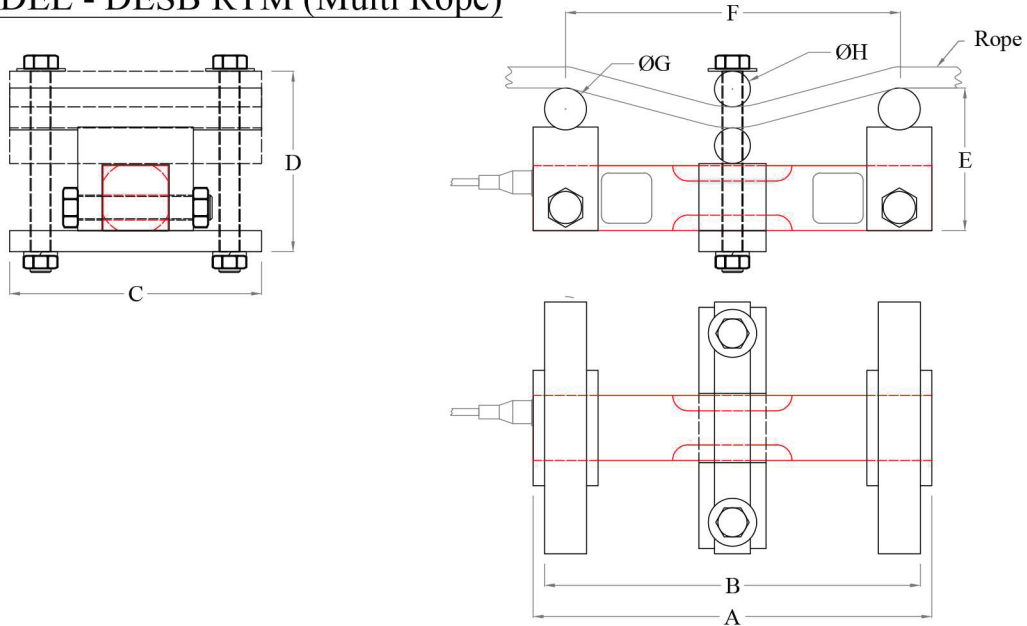


DESB RTM (Multi Rope)



Dimension

MODEL - DESB RTM (Multi Rope)



Cap. kgf	A	B	C	D	E	F	G	H
450 - 2250	190	180	120	85	68	160	20	17

All Dimensions are in mm.

Sensotech

2/675, " THE PALMS", 1st Cross Street, Ranga Reddy Garden, Neelankarai, Chennai-600115

(+91) - 9176070667 / 9790922667 / 9952020667 / 9566022667

Mail : sales@sensotechindia@gmail.com / sensotechindia@gmail.com

Website : <https://sensomatic.co/> / <https://sensomaticloadcell.net>