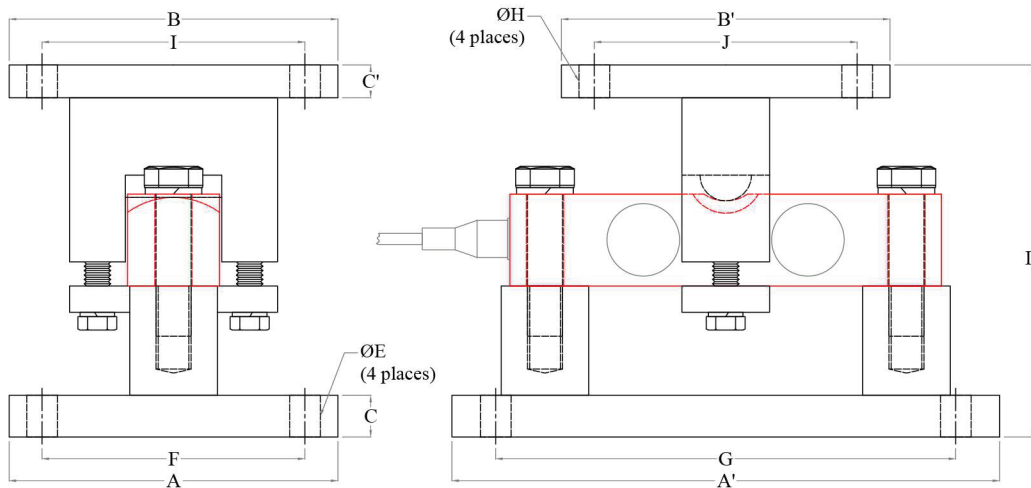


DESB (RIGID MOUNT ASSEMBLY)



Dimension

DESB (RIGID MOUNT ASSEMBLY)



Cap. tf	A	A'	B	B'	C	C'	D	E	F	G	H	I	J
4.5 - 15	150	250	150	150	19	15	170	14	120	220	14	120	120

All dimensions are in mm.

NOTE: For (18 - 20) tf capacities contact Sensotech.

Sensotech

2/675, " THE PALMS", 1st Cross Street, Ranga Reddy Garden, Neelankarai, Chennai-600115
(+91) - 9176070667 / 9790922667 / 9952020667 / 9566022667

Mail : sales@sensotechindia@gmail.com / sensotechindia@gmail.com

Website : <https://sensomatic.co/> / <https://sensomaticloadcell.net>