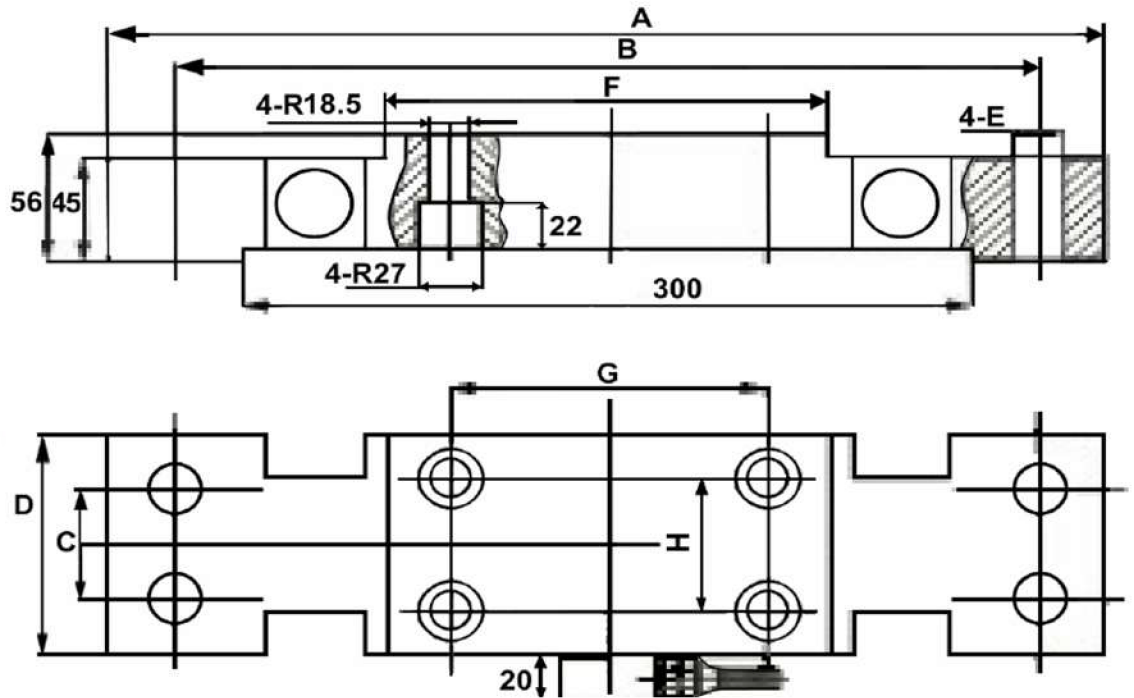
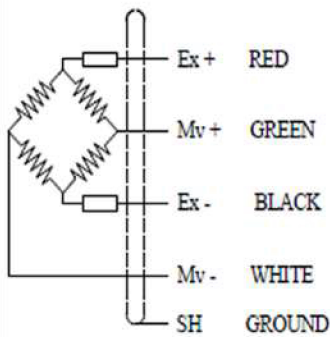


MODEL : DESB-CR



Dimension



MODEL : DESB-CR

Performance Data

Capacity Range (in Kg)	
Capacity Range (in tf)	5/10/15/20/25
Nominal Sensitivity (mv/V)	1.00±0.002%
Zero Signal Tolerance	0 ± 2%
Input Resistance	700±5Ω
Output Resistance	700±3Ω
Recommended Excitation Voltage	10 VDC
Maximum Excitation Voltage	25 VDC
Linearity Deviation (as % of Full Scale)	< ± 0.020
Repeatability (as % of Full Scale)	< ± 0.020
Hysteresis (as % of Full Scale)	< ± 0.020
Creep (as % of Full Scale) in 30 min	< ± 0.020
Effect of Temperature on Zero (% / °C)	± 0.002
Effect of Temperature on Span (% / °C of Load)	± 0.001
Compensated Temperature Range	-10 to + 40°C
Operating Temperature Range	-20 to +70°C
Combined Error (as % Full Scale)	< ± 0.025 max
Isolation Resistance (@ 50 VDC)	> 1000 M Ω
Max. Limit Force (as % of Full Scale)	150
Breaking Force (as % of Full Scale)	300
Lateral Load Limit (as % of Full Scale)	500:1
Protection Class	IP 68
Material of Construction	High Nickel Alloy Steel

Features

- ★ In-built Lightning Protection
- ★ Low Profile design
- ★ Low Deflection & Creep
- ★ Excellent Overload Capacity
- ★ Standardised Output for Multi-Transducer Application

Application

- ★ Explosion Proof Version suitable for Group I, IIA, IIB, IIC & meet Temperature Class T4

Application

- ★ Pit / Pitless Weighbridge
- ★ Tank/Hopper Weighing
- ★ In-Motion Weighing / Furnace Weighing

Sensotech

2/675, " THE PALMS", 1st Cross Street, Ranga Reddy Garden, Neelankarai, Chennai-600115

(+91) - 9176070667 / 9790922667 / 9952020667 / 9566022667

Mail : sales@sensotechindia@gmail.com / sensotechindia@gmail.com

Website : <https://sensomatic.co> / <https://sensomaticloadcell.net>