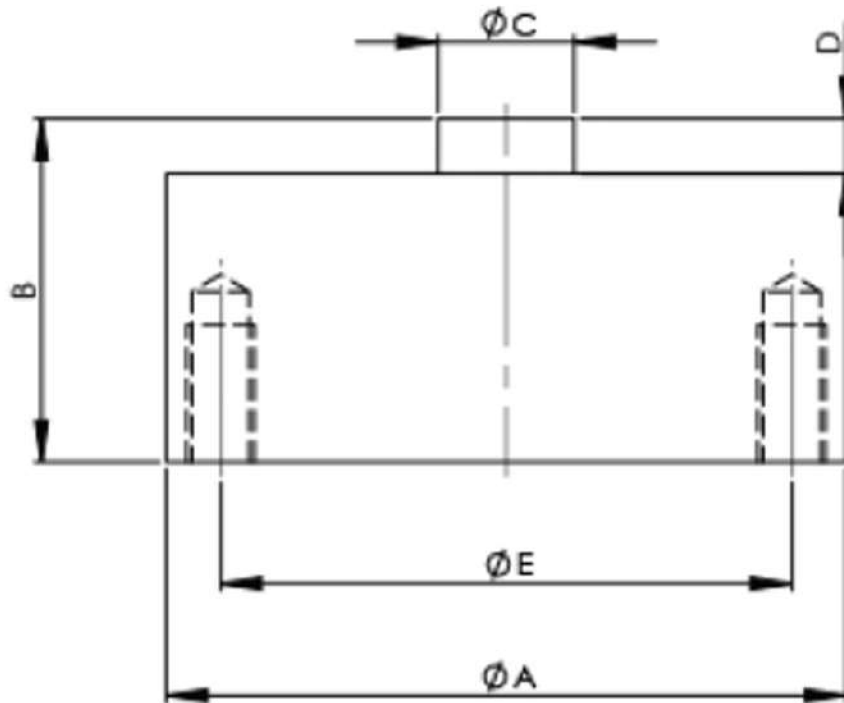
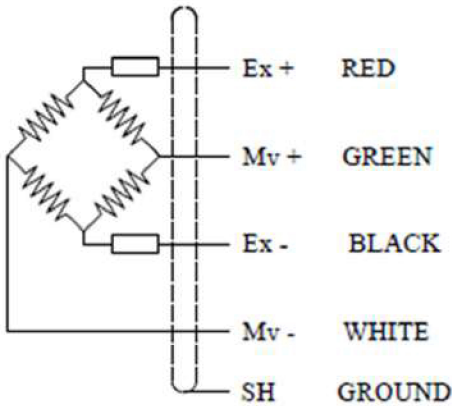


MODEL : BTN



Dimension



CAPACITY RANGE 0.5 TO 30 TF						
CAPACITY TF	ØA	B	ØC	D	ØE	T
BTN 0.5-2	50	25	10	4	42	M 5 X 0.8
BTN 5	98	40	20	5	72	M 6 X 1.0
BTN 10	98	45	20	5	72	M 6 X 1.0
BTN 20	118	50	25	7	90	M 6 X 1.0
BTN 30	138	73	25	8	115	M 10 X 1.25

MODEL : BTN

Performance Data

Capacity Range (in Kg)	500
Capacity Range (in tf)	2/3/5/10/20/30
Nominal Sensitivity (mv/V)	1.5±0.25%
Zero Signal Tolerance	0 ± 2%
Input Resistance	350±5 Ω
Output Resistance	350 ± 3 Ω
Recommended Excitation Voltage	12 VDC
Maximum Excitation Voltage	18 VDC
Linearity Deviation (as % of Full Scale)	< ± 0.025
Repeatability (as % of Full Scale)	< ± 0.025
Hysteresis (as % of Full Scale)	< ± 0.025
Creep (as % of Full Scale) in 30 min	< ± 0.020
Effect of Temperature on Zero (% / °C)	± 0.002
Effect of Temperature on Span (% / °C of Load)	± 0.001
Compensated Temperature Range	-10 to + 40°C
Operating Temperature Range	-20 to +70°C
Combined Error (as % Full Scale)	< ± 0.04%
Isolation Resistance (@ 50 VDC)	> 1000 M Ω
Max. Limit Force (as % of Full Scale)	150
Breaking Force (as % of Full Scale)	300
Lateral Load Limit (as % of Full Scale)	
Protection Class	IP 67
Material of Construction	High Nickel Alloy Steel

Features

- ★ Low Deflection & Creep
- ★ Allows High permissible Dynamic Load
- ★ High Fatigue Rated & Impact Resistant

Application

- ★ SPM / Level Measurement / Testing Machine
(for use in compression model only)
- ★ Tank Weighing / Process Automation

Sensotech

2/675, " THE PALMS", 1st Cross Street, Ranga Reddy Garden, Neelankarai, Chennai-600115

(+91) - 9176070667 / 9790922667 / 9952020667 / 9566022667

Mail : sales@sensotechindia@gmail.com / sensotechindia@gmail.com

Website : <https://sensomatic.co> / <https://sensomaticloadcell.net>