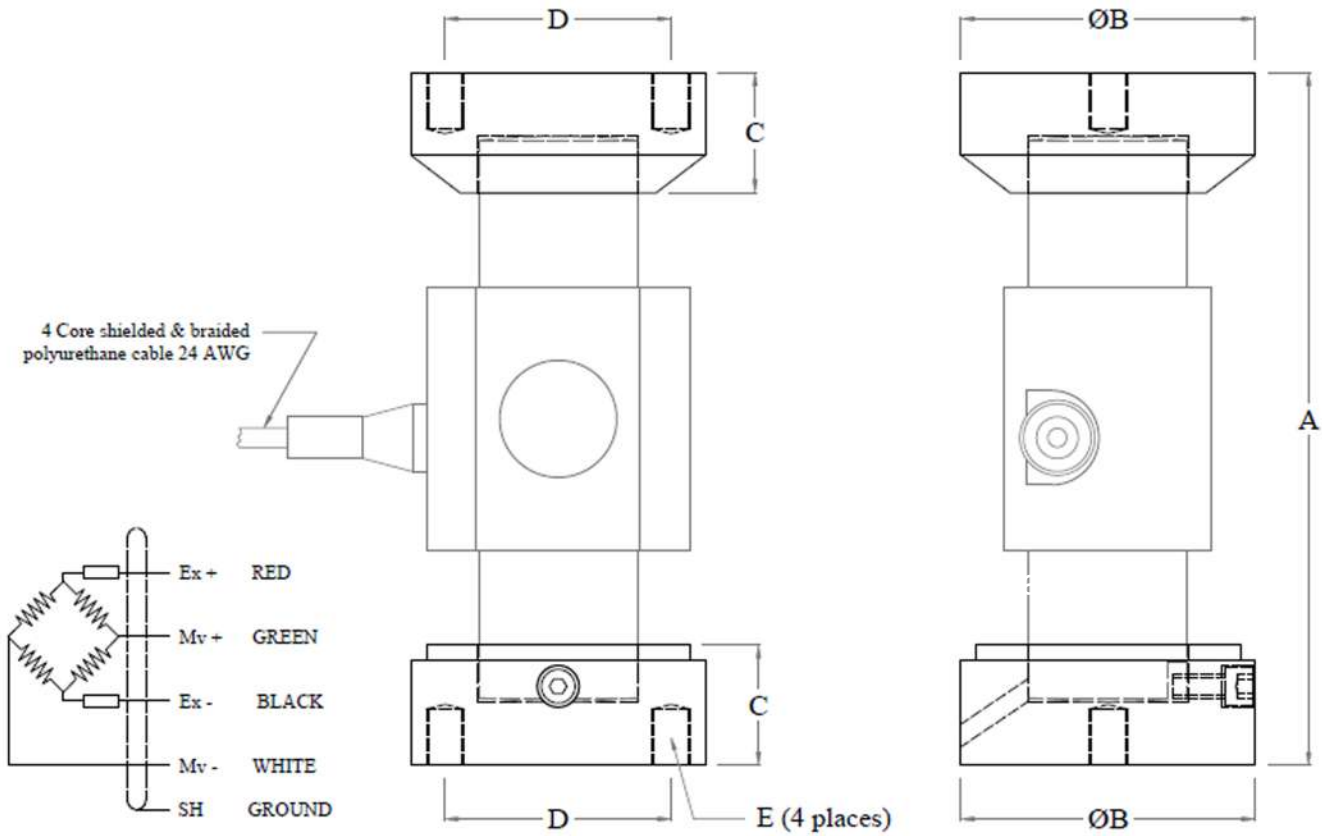


MODEL : CMP



Senzomatic

Dimension



Cap. μ f	A	B	C	D	E
20/25/30/40	184	78	32	60	M10x1.5, 15 depth

All Dimensions are in mm.

MODEL : CMP

Performance Data

Capacity Range (in Kg)	
Capacity Range (in tf)	20/ 25/ 30/ 40
Nominal Sensitivity (mv/V)	2±0.25%
Zero Signal Tolerance	0 ± 2%
Input Resistance	350±5 Ω
Output Resistance	350 ± 3 Ω
Recommended Excitation Voltage	10 VDC
Maximum Excitation Voltage	18 VDC
Linearity Deviation (as % of Full Scale)	< ± 0.020
Repeatability (as % of Full Scale)	< ± 0.020
Hysteresis (as % of Full Scale)	< ± 0.020
Creep (as % of Full Scale) in 30 min	< ± 0.002
Effect of Temperature on Zero (% / °C)	± 0.020
Effect of Temperature on Span (% / °C of Load)	± 0.001
Compensated Temperature Range	-10 to + 40°C
Operating Temperature Range	-20 to +70°C
Combined Error (as % Full Scale)	< ± 0.25 max
Isolation Resistance (@ 50 VDC)	> 1000 M Ω
Max. Limit Force (as % of Full Scale)	150
Breaking Force (as % of Full Scale)	300
Lateral Load Limit (as % of Full Scale)	
Protection Class	IP 68
Material of Construction *	High Nickel Alloy Steel

Features

- ★ Low Profile design, Low Deflection & Creep Excellent Overload
- ★ Allows High permissible Dynamic Loading
- ★ High Fatigue Rated & Impact Resistant
- ★ Monolith Design, Self Aligning
- ★ In-Built Lightning Protection

Optional

- ★ Explosion proof Version suitable for Group I, IIA, IIB, IIC & meets
- ★ Available in Stainless Steel

Application

- ★ Pit / Pittless Weighbridge,
- ★ Tank & Hopper Weighing
- ★ Process Automation

Sensotech

2/675, " THE PALMS", 1st Cross Street, Ranga Reddy Garden, Neelankarai, Chennai-600 041.

Tel : +91- 44 -2449 4305 / 91763 70667 / 73057 16667

Mail : sales@sensotechindia@gmail.com / sensotechindia@gmail.com

Website : www.sensomaticloadcell.net / www.sensomaticloadcell.com